

ACTEK MFG. & ENG. CO.

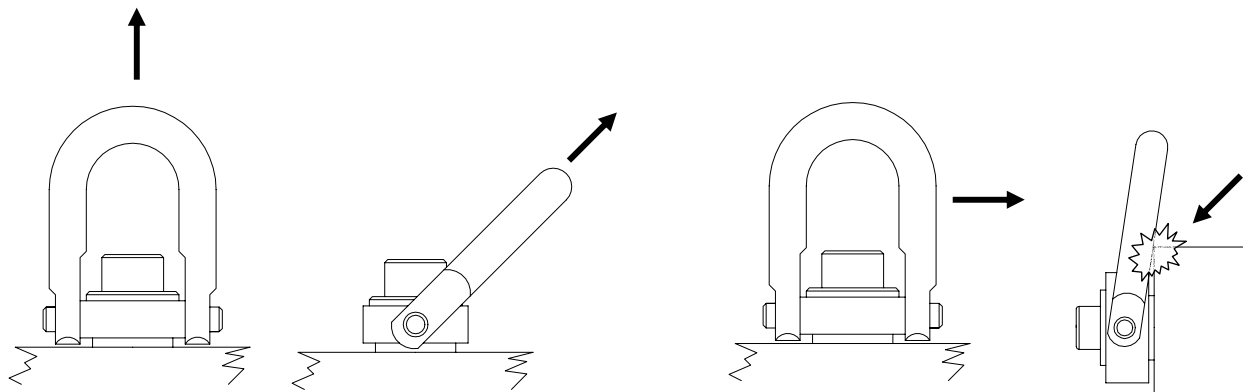
STAINLESS STEEL SWIVEL HOIST RING

SAFETY PRECAUTIONS

WARNING: PRIOR TO USING ANY HOIST RING, PLEASE READ THE FOLLOWING FOR PROPER INSTALLATION AND USAGE.

As with all mechanical devices, regular inspection for wear and strict adherence to use instruction is necessary to prevent misuse failure.

- Despite the 5:1 safety factor, **NEVER EXCEED THE RATED LOAD CAPACITY.** This safety margin is needed in case of misuse, which could drastically lower load capacity.
- Tighten mounting screws to torque recommended. Periodically check torque because screws could loosen in extended service.
- **Make sure the hoist ring pivots and rotates in all directions freely.**
- Tensile strength of parent material should be above 80,000 PSI to achieve full load rating. For weaker material, consider through-hole mounting with a nut and washer on the other side.
- **DO NOT APPLY SHOCK LOADS.** Always lift gradually. Repeat magnaflux testing if shock loading ever occurs.



RIGHT

RIGHT

WRONG

WRONG

Important: The load on each hoist ring is not simply total weight divided by the number of hoist rings. The resultant force can be significantly greater at shallow lift angles and with unevenly distributed loads. See the example below.

L = Load
W = Total weight = 2,000 Lbs.

N = Number of hoist rings = 4
A = Lifting angle

$$L = \frac{W}{N \sin A}$$

If A = 60:

$$L = \frac{2000}{4 \sin 60} = 577 \text{ Lbs.}$$

If A = 20:

$$L = \frac{2000}{4 \sin 20} = 1,462 \text{ Lbs.}$$

